

Specifications and Features:

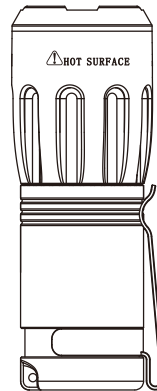
ANSI	Illumination levels				
	High	Mid	Low	Strobe	SOS
Luminance	500Lm	210Lm	10Lm		
Runtime(XTAR3100)	38mins	72mins	29.5h		
Beam Throw	100m				
Max Intensity	2500cd				
Impact Resistant	1m				
Waterproof	IPX8				
LED	CREE XM-L2 U2				
Material	Anodized aircraft 6061 aluminium alloy				
Working Voltage	2.75V~4.2V				
Battery	1 x 16340, 1x CR123A				
Switch	Head rotary switch				
Size	Ø25.8mm (Head dia) x Ø25.8mm (Body dia) x 88mm (length)				
Net Weight	43g(Excluded battery)				
Additional Functions	Memory function, Tail disassemble strong magnet				
Package Contents	<input type="checkbox"/> Flashlight <input type="checkbox"/> Keychain <input type="checkbox"/> O-ring <input type="checkbox"/> Clip <input type="checkbox"/> Battery				

Notice: The above-mentioned parameters tested in Lab are approximate and may vary between flashlight/charger, batteries and environments.

3

Introduction:

XTAR WK21 Meteor is a small and exquisite mini convenient portable keychain LED flashlight equipped superbright luminous flux CREE XM-L2 U2 LED; Our company's patent technology mode DIY system also designed on this Meteor, that means you can reorganize the mid, low, strobe and SOS output level easily. Tail disassembling strong magnet, clip, keychain, aircraft aluminium body, reverse polarity protection circuit, antiskid pattern design and anodized processed made WK21 a good flashlight for every day carry.



2

About XTAR:

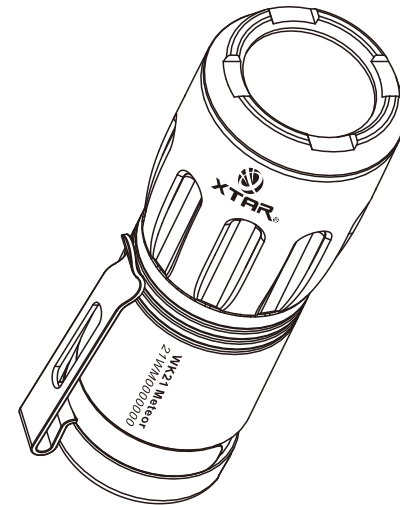
Hong Kong XTAR Co., Ltd. ("XTAR") is a company established in 2007, with a focus on charger, flashlight, and battery research and development. Over the years, XTAR has experienced rapid development and growth, and is currently utilizing its acquired professional skills towards advanced research in charger and flashlight technology. To date, XTAR has obtained more than 20 patents, and XTAR products are used in over 40 countries, including the USA, UK, Japan, Germany, France, Norway, and Australia.

The name XTAR, derived from "X-STAR", representing the innumerable unknown stars in the universe, brings to mind a vision of infinite imagination. The XTAR logo, a trademark of Hong Kong XTAR Co., Ltd., contains a spheroidal figure and character that together represent the modest spirit of our company, XTAR being tolerant to diversity and our aspirations towards continuing development and innovation.

Battery chargers and flashlights may be common, everyday items, but the traits that make XTAR and XTAR products unique are our creative designs, high quality, and dedicated after-sales support. XTAR strives to earn your trust by exceeding your expectations in all these areas.

The stars light up the night sky; XTAR will light up your life!

1



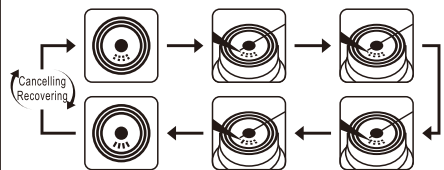
XTAR LED Flashlight-**WK21**
manual

4. Customer can choose any modes at will before purchase, or turn to professional for assistance to DIY these modes. weld or remove the contactor will cancel or recover the corresponding mode.

Mode	Disable	Recover	Mode	Disable	Recover
A.low mode	A1 and A2 connect	A1 and A2 disconnect	C.strobe mode	C1 and C2 connect	C1 and C2 disconnect
B.mid mode	B1 and B2 connect	B1 and B2 disconnect	B.SOS mode	D1 and D2 connect	D1 and D2 disconnect

Mode DIY specific operations procedures:

- Disconnect 4 pairs contactors.
- Use electric soldering iron and solder to connect contactor, disable mode.
- Use electric soldering iron to melt the solder, recover the mode.



Remark: Please don't solder soldering tin to different modes or inner circuit circle, or will lead to short circuit or damage.

6

Tail magnet disassembling instruction:

WK21 can not be completely avoided to iron product like keys these absorbable small staff in daily use, here is the instructions for customer who do not need the magnet:

- Use a tweezer to screw the magnet cover off the tail anticlockwise.
- Take the strong magnet out using an iron staff or pour it our directly.
- Repeat the step 1, screw the cover according to the clockwise.

Maintenance:

- Use qualified battery. XTAR PCB battery recommended. When flashlight is not in use or battery is exhausted, removal of battery from unit is recommended.
- Replace O-ring when diminished or worn. Lubricate O-ring regularly to maintain water resistance and keep the unit sealed.
- Clean contactor regularly.
- Possible reasons of malfunction and solutions of unit:

Possible Malfunctions	Solutions
Battery exhausted.	Change to specialized battery
Circuit, PCB contactor or other contactor poorly connected.	Inject lubricant, screw down
Parts' breakage or disconnection of head, body or tail cap switch.	the ring on the Head and Tail.

If unit still fails to operate, please contact your dealer or service center where unit was purchased for warranty service.

Warranty:

- 15 days free replacement: We will repair or replace a light within 15 days of purchase if it is has a manufacturing defect. If the problem calls for a replacement, we will replace the light with the same model as the one you bought. If the model has been discontinued, you will receive a product with similar or improved performance.

7

- 24 months free repair. We offer free repair within 24 months of purchase if problems develop with normal use.

Limited lifetime warranty. If problems develop after 24 months there will be a charge for parts. The total repair fee will be assessed according to the cost of the replaced materials. If damage to the light is grave, your XTAR distributor will contact you to decide whether to exchange the parts or not. Freight will be paid by distributors or customers.

- This warranty is not applicable for damages caused by faulty operation, disassembly, and irresistible factors.**

Website and Anti-fake inquiry:

- Welcome to visit our company website to get more information.
<http://www.xtarlight.com>

Anti-fake inquiry: A group of eighteen-digit number could be gained by scraping the anti-counterfeiting label on our product or package. Then, input it to the corresponding query window in our service column of our official website to distinguish the product's authenticity. The serial number does the same work.

- Thank you for choosing our excellent product. Your satisfaction and feedback are essential to our progress.

8



HONG KONG XTAR CO., LTD

Address: Rm 813, Moi Art Trading Plaza, No.245 Busha Rd Buji, Longgang District, Shenzhen, Guangdong, China
Zip Code: 518112

Web site: www.xtarlight.com
Email: service@xtarlight.com
Tel: +86-755-25507076
Fax: +86-755-25507076